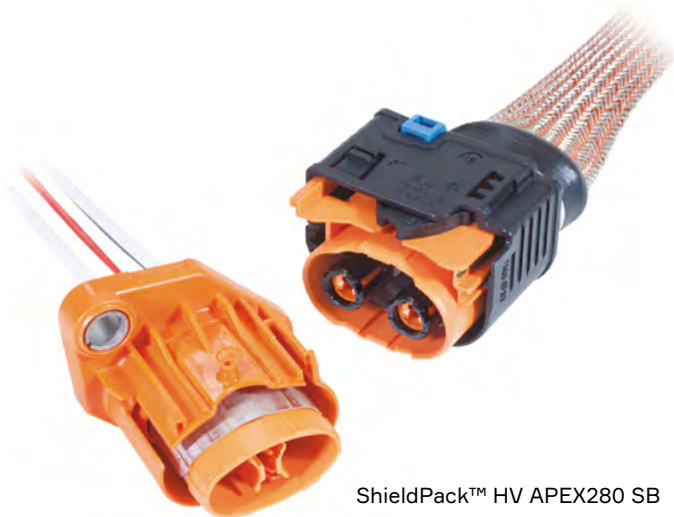


SHIELDPACK™ HV APEX280 SB



ShieldPack™ HV APEX280 SB

BENEFITS

- Two-stage disconnect for safe unmating
- Compact package with unique integrated electric interlock
- Header is sealed in both mated and unmated position

FEATURES

- Bundle shielding with external braid
- HVIL shunted in harness connector



AVAILABLE CONFIGURATIONS

| | |
|--------------------------------|--------------------------------------|
| Connector Type | Wire-to-device |
| Cable Exit Orientation | 180° |
| Cable Range (mm ²) | 2.5 - 6 (power) 0.5 - 0.75 (HVIL) |
| Terminal Type | Apex® 2.8 |
| # of Power Terminals | 2 |
| Shielding | Bundle |
| HVIL | Shunt on female |
| Assembly Assurance | CPA |
| Number of Indexes | 2 |



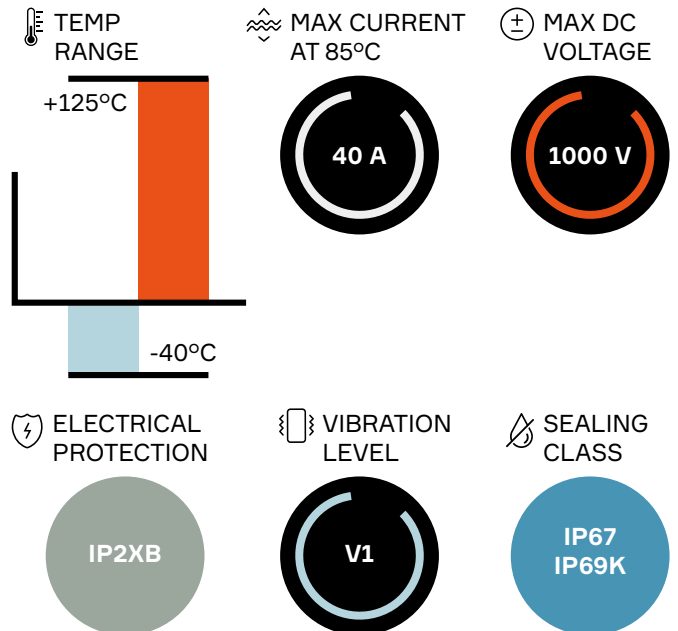
APPLICATIONS

Battery pack, DC / DC converter,
On-board charger (OBC)

See back page for representative part numbers and packaging dimensions.



TECHNICAL CHARACTERISTICS



About Aptiv

Aptiv is a global technology company that develops safer, greener and more connected solutions enabling the future of mobility.

Visit [aptiv.com](https://www.aptiv.com) →



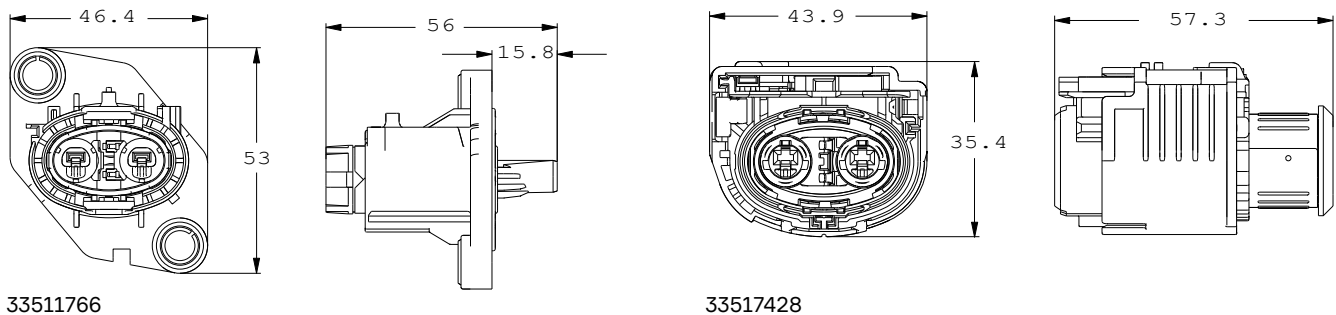
• **APTIV** •

| Index | Header connector | Mating connector | BOM |
|-------|------------------|------------------|-----|
| 101 | 33511766 | 33517428 | 1 |
| 102 | 33511767 | 33511765 | |

ASSOCIATED PARTS

| Part number | Description | BOM |
|-------------------------|---|-----|
| Header | | |
| 15509074 | APEX® 2.8 male terminal 2.5 mm ² | 2 |
| 15516298 | APEX® 2.8 male terminal 4 - 6 mm ² | |
| 33511802 | DCS2 1.5 male terminal gold-plated 0.22 - 0.35 mm ² | 2 |
| 10779703 | DCS2 1.5 male terminal gold-plated 0.5 - 1.0 mm ² | |
| Mating connector | | |
| 13627267 | APEX® 2.5 mm ² | 2 |
| 10810733 | APEX® 4 - 6 mm ² | |
| Seals | | |
| 33512180 | Header and mating: APEX® 2.8 female & male single wire seal 2.5 mm ² | 2 |
| 33512175 | Header and mating: APEX® 2.8 female & male single wire seal red 4 mm ² | |
| 35289308 | Header and mating: APEX® 2.8 female & male single wire seal 6 mm ² | |
| 15441379 | Header: DCS/DSQ 1.5 red single wire seal 0.22 - 0.5 mm ² | 2 |
| 15441380 | Header: DCS/DSQ 1.5 grey single wire seal 0.75 - 1.0 mm ² | |

DIMENSION MEASUREMENT SAMPLE



Part numbers, specifications, dimensions and performance data in this document are for general references only and are subject to change without notice. To verify product information, please contact an Aptiv representative.

CS-SP102-HV-En1220