

# SHIELDPACK™ HV CTS630 SI



ShieldPack™ HV CTS630 SI

## BENEFITS

- Inner connector with TPA can be plugged into header during device assembly (on wire-to-device)
- Industry's most compact 630 2 way system
- Industry leading vibration performance
- External header housing is the same for the HV280 and HV630

## FEATURES

- Tool-less unmating system
- Finger proof/touch safe
- Panel mount to device with face seal (on wire-to-device)
- Aluminum compression bushings
- ISO cable compatible
- Secondary terminal locking



## AVAILABLE CONFIGURATIONS

Connector Type	Wire-to-device, wire-to-wire
Cable Exit Orientation	180°
Cable Range (mm <sup>2</sup> )	3 - 6 (power)
Terminal Type	CTS 6.3
# of Terminals	2
Shielding Type	Individual
HVIL	None
Assembly Assurance	TPA (wire-to-device) CPA (wire-to-wire)
Number of Indexes	3 (wire-to-device) 3 (wire-to-wire)

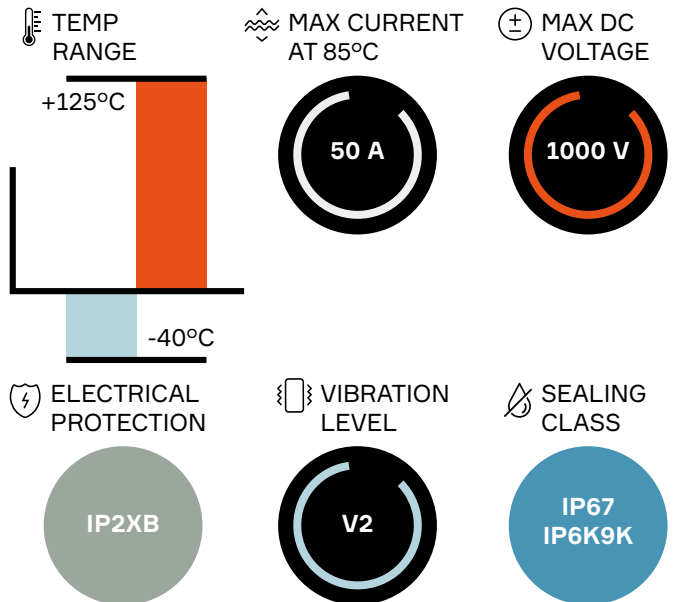


## APPLICATIONS

Battery pack, DC / DC converter,  
On-board charger (OBC)



## TECHNICAL CHARACTERISTICS



See back page for representative part numbers and packaging dimensions.

## About Aptiv

Aptiv is a global technology company that develops safer, greener and more connected solutions enabling the future of mobility.

Visit [aptiv.com](http://aptiv.com) →

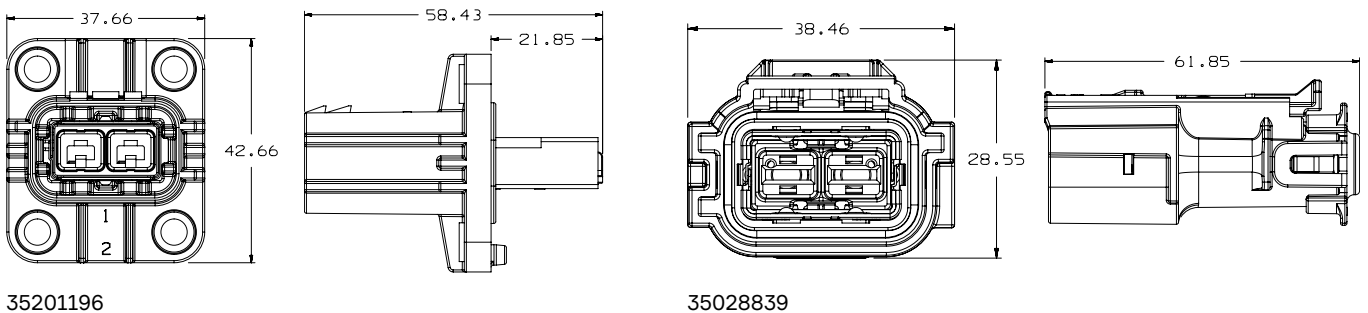


Index	Header outer	Header inner connector	Inline connector	Mating connector	BOM
101	35201196	35028833	35201706	35028839	1
102	35201197	35028834	35201707	35028840	
103	35201198	35028835	35201708	35028841	

## ASSOCIATED PARTS

Part number	Description	BOM
<b>Header</b>		
33375907	2.4 - 3.4 cable OD 3 - 6 mm <sup>2</sup>	2
35028830	TPA (Terminal Position Assurance)	1
<b>Inline connector</b>		
35063063	4.8 male terminal	2
<b>Mating connector</b>		
13737699	Inner ferrule 3 mm <sup>2</sup> cable	2
13737700	Inner ferrule 4 mm <sup>2</sup> cable	
33292550	Inner ferrule 5 mm <sup>2</sup> & 6 mm <sup>2</sup> cable	
13737702	Outer ferrule 3 mm <sup>2</sup> & 4 mm <sup>2</sup> cable	2
33292551	Outer ferrule 5 mm <sup>2</sup> & 6 mm <sup>2</sup> cable	
13824779	Seal retainers 3 mm <sup>2</sup> & 4 mm <sup>2</sup> cable	1
13888072	Seal retainers 5 mm <sup>2</sup> & 6 mm <sup>2</sup> cable	
15513453	Cable seal 3 mm <sup>2</sup> cable	1
15513452	Cable seal 4 mm <sup>2</sup> cable	
15513451	Cable seal 5 mm <sup>2</sup> & 6 mm <sup>2</sup> cable	

## DIMENSION MEASUREMENT SAMPLE



Part numbers, specifications, dimensions and performance data in this document are for general references only and are subject to change without notice. To verify product information, please contact an Aptiv representative.

CS-SP76-HV-En1220