

ABX-5 RETAINER



BENEFITS

- Standard interface retainer compatible with all ABX-5 connectors
- Simplified interface without shorting bar
- Cost advantage to current AK-2 solution

FEATURES

- Interface with 4 codings according to USCAR 999-U-002-1-Z04
- Retainer compatible with initiators according to ISO 19072-1 and USCAR 999-U-002-1-Z02
- Robust design with optimized retention, coding and orientation features

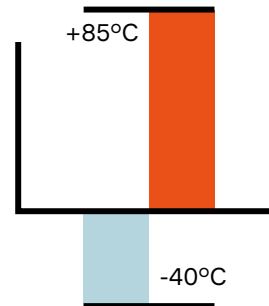


TECHNICAL CHARACTERISTICS

Interface	ABX-5
Ignitor Types	Type K
Shorting Clip	No
Grounding Terminal	No



TEMPERATURE



APPLICATIONS

Passenger compartment

See back page for representative part numbers and packaging dimensions.

About Aptiv

Aptiv is a global technology company that develops safer, greener and more connected solutions enabling the future of mobility. Headquartered in Dublin, Aptiv has approximately 150,000 employees and operates 14 technical centers, as well as manufacturing sites and customer support centers in 45 countries.

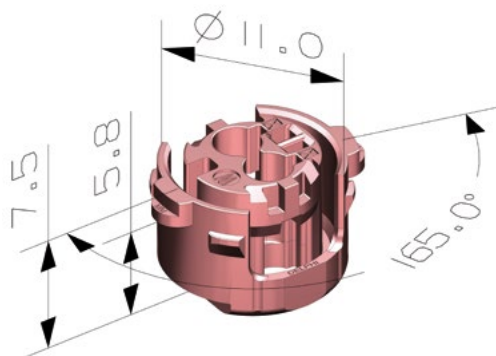
Visit aptiv.com



Product code	Coding	Color	Part number
ABX-5 Retainer	W	Pink	33401505
	X	Purple	33401506
	Y	Grey	33401507
	Z	Green	33401508

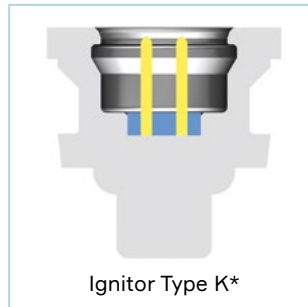
For the matching part numbers, please contact your Aptiv representatives.

DIMENSION MEASUREMENT SAMPLE



The dimensions are in mm.

MATES WITH



* Ignitors are not manufactured by Aptiv, please contact your usual supplier.
 ** Connector Position Assurance

Part numbers, specifications, dimensions and performance data in this document are for general references only and are subject to change without notice. To verify product information, please contact an Aptiv representative.