

# NanoPack™ CTS

## UNSEALED SERIES

USCAR

NanoPack™ CTS  
8W Female



NanoPack™ CTS  
24W Female



### BENEFITS

- Heavy-duty performance
- Ergonomic design
- Robust contact geometry

### FEATURES

- Compliant with USCAR design guidelines and performance standards
- Industry standard footprint
- Independent Secondary Lock (ISL) to detect partially installed terminals
- Best-in-class lock overstress protection



### AVAILABLE CONFIGURATIONS

Cavity Count (ways)	4, 8, 12, 16, 20, 24
Cavity Configurations (mm)	0.5
Genders	Female
Sealing Type	Unsealed
Centerline Spacing (mm)	2.0



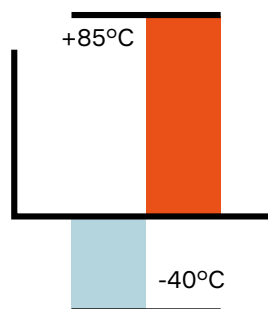
### APPLICATIONS

Interior, Multimedia, HVAC

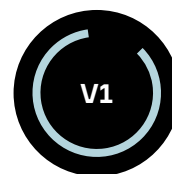
See back page for representative part numbers and packaging dimensions.



### TEMPERATURE



### VIBRATION



### SEALING CLASS



## About Aptiv

Aptiv is a global technology company that develops safer, greener and more connected solutions enabling the future of mobility.

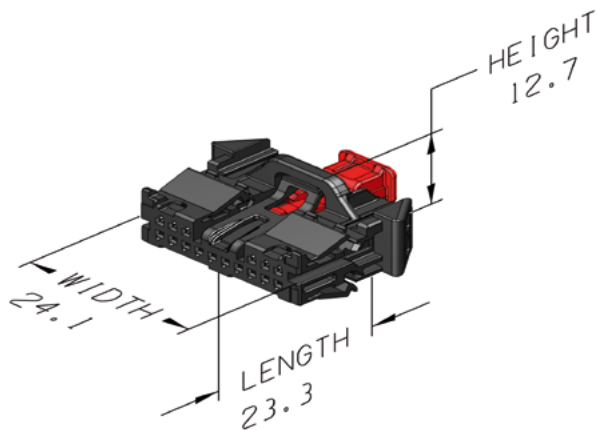
Visit [aptiv.com](http://aptiv.com) →



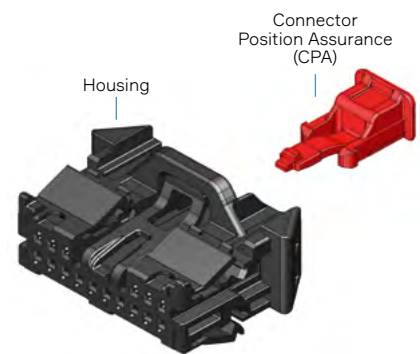
Cavity count	Blade size (mm)	Gender	Dimensions W x H x L (mm)	Part number	Index	Color	CPA	Other indexes offered	USCAR footprint
4	0.5	F	12.1 x 12.7 x 23.3	33283024	A	Black	Yes	B, C, D	050-U-004-1-Z02
8	0.5	F	20.1 x 12.7 x 23.3	35068228	A	Black	Yes	B, C, D	050-U-008-1-Z02
12	0.5	F	20.1 x 12.7 x 23.3	33283034	A	Black	Yes	B, C, D	050-U-012-2-Z02
16	0.5	F	24.1 x 12.7 x 23.3	33365975	A	Black	Yes	B, C, D	050-U-016-2-Z01
20	0.5	F	35.1 x 12.7 x 23.3	33305409	A	Black	Yes	B, C, D	050-U-020-2-Z01
24	0.5	F	39.1 x 12.7 x 23.3	33359134	A	Black	Yes	B, C, D	050-U-024-2-Z01



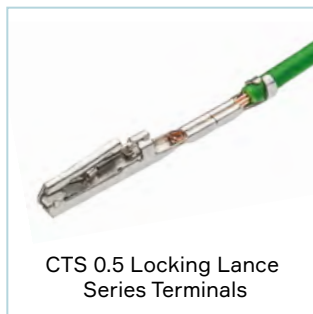
### DIMENSION MEASUREMENT SAMPLE



### EXPLODED VIEW



### COMPATIBLE WITH



Part numbers, specifications, dimensions and performance data in this document are for general references only and are subject to change without notice. To verify product information, please contact an Aptiv representative.

CS-SP50-CTS-En1120